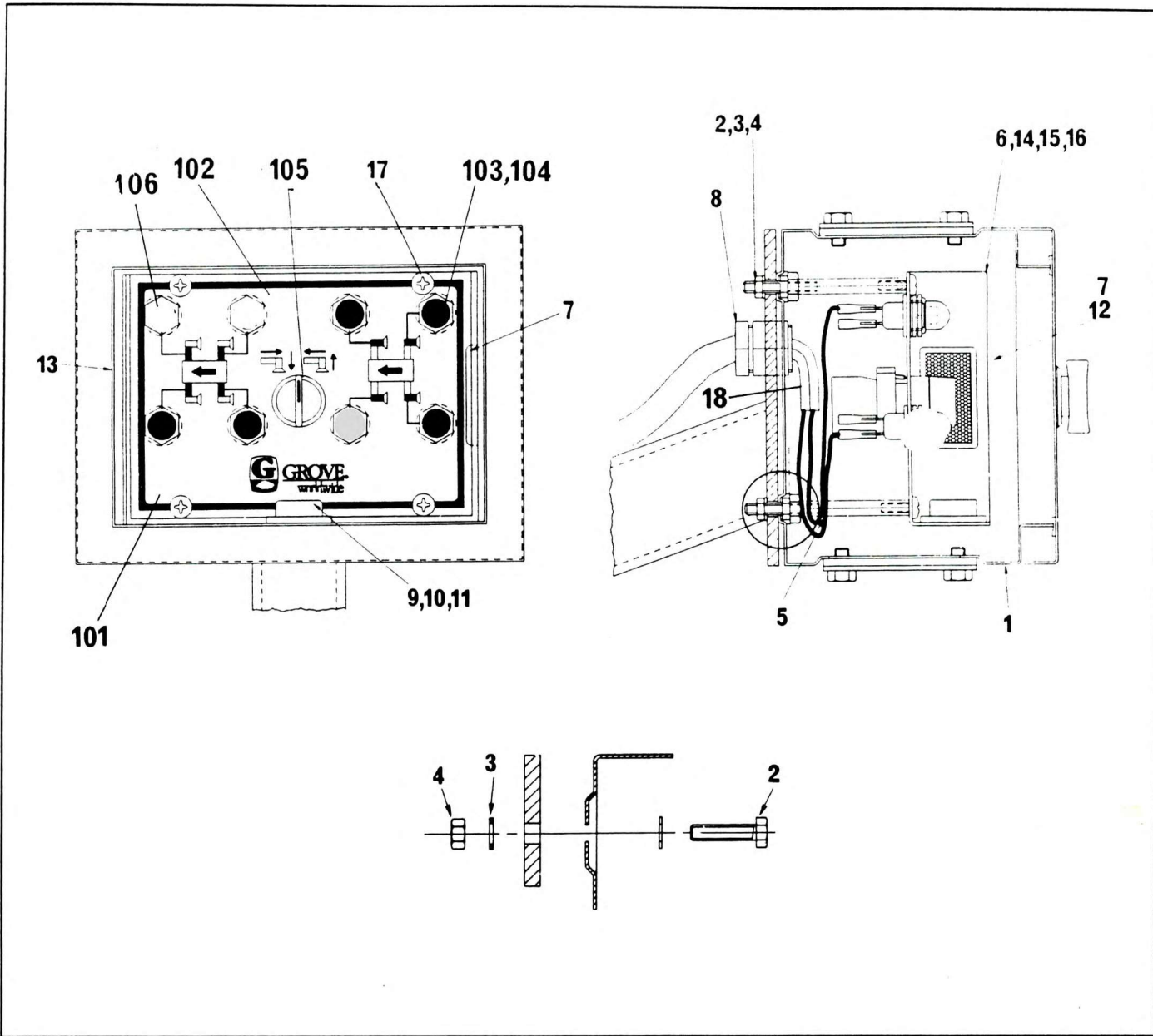


OUTRIGGER CONTROL LH SUB ASSY



NO.	PART NO	QTY.	DESCRIPTION	NO.	PART NO	QTY.	DESCRIPTION
1	6-176-990155	1	Outrigger Control Box Rework	17	7-786-990063	4	Screw M6 Black
2	7-126-151253	4	Screw Hex head M6 x 25Lg	18	8-594-100265	1	3/4" ID PVC Flexible Shrink Tubing x 1 Foot
3	7-951-150014	4	Washer Plain M6	101	6-705-990069	1	Plate Outrigger Control Mounting
4	7-661-150003	4	Nut M6	102	7-376-991113	1	Decal Outrigger Control LH
5	6-910-991211	4	Spacer Hex	103	7-872-000602	7	Push Button Switch
6	6-679-992612	1	Panel Outrigger Control LH Sub Assy Compr 101-106	104	7-172-000025	7	Boot Push Button Switch
7	7-581-990194	1	Interior Lamp	105	8870722	1	Switch 3 Pos Spring
8	7-364-002562	1	Gland 25mm	106	7-242-000005	2	Plug
9	7-486-001651	1	Level				
10	7-834-000190	1	Spring				
11	7-111-040410	3	Mach Sc Rd Hd				
12	7-581-990124	1	Bulb 24v-5W				
13	8-246-912300	1	Rubber Channel x 2 Feet				
14	8735024	6	Female Terminal (Red)				
15	8735025	16	Female Terminal (Blue)				
16	6-850-990163	1	Check Strap				